

Originalbetriebsanleitung

D

Operating Manual

EN

Mode d'emploi

F

Istruzioni per l'uso

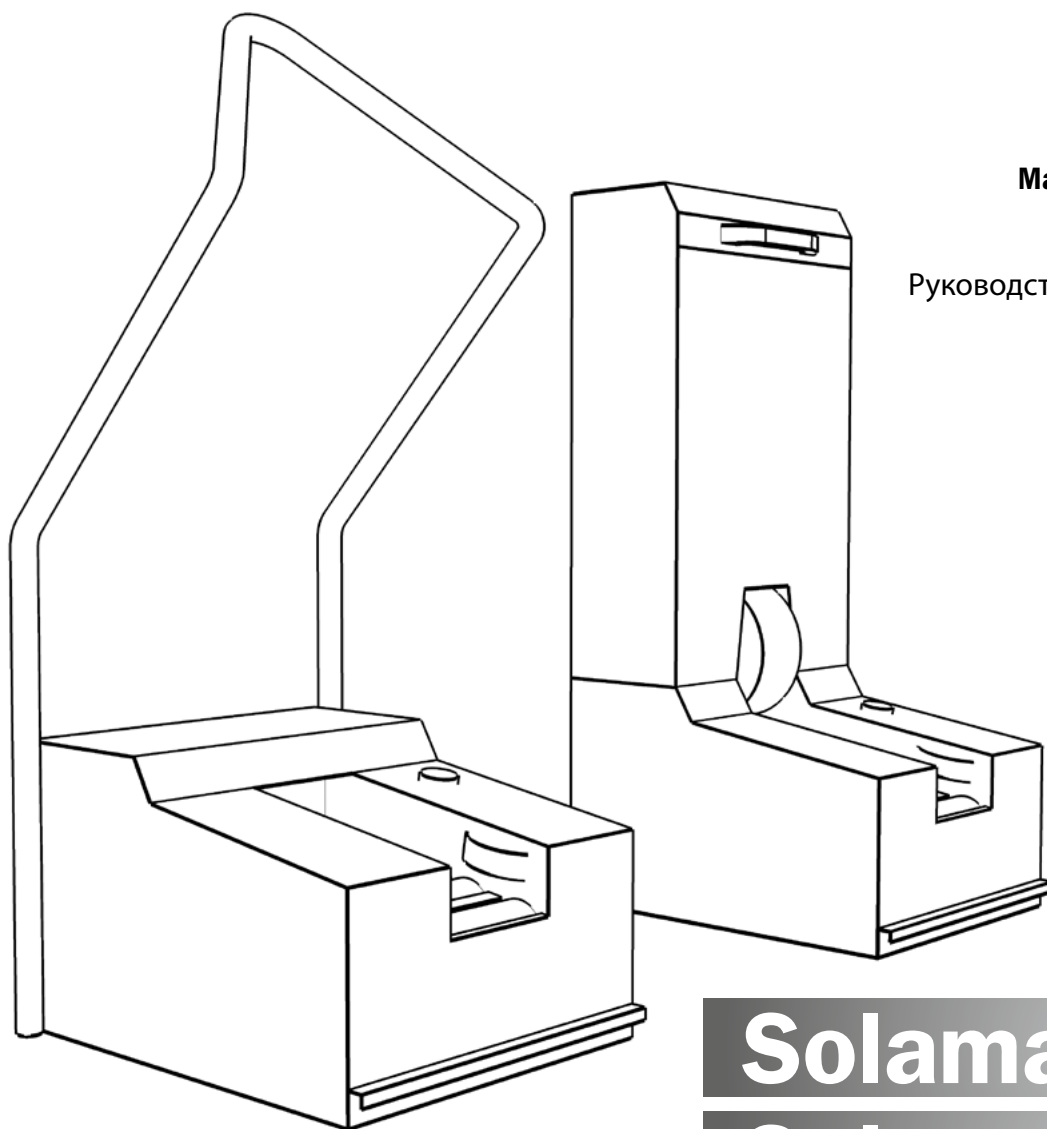
IT

Manual de instrucciones

ES

Руководство по эксплуатации

RU



Solamat 90

Solamat 100

Solamat 150

Solamat 200



Solamat 100/150/200



Solamat 100



Solamat 150



Solamat 200

IMPORTANT - READ FIRST

Only put the machine into operation once you have read and understood the operating instructions. We shall be happy to answer any questions you may have.

HEUTE Solamat sole cleaning machines are built and tested in accordance with the latest safety regulations. The faultless functionality and operational assurance of the device can only be guaranteed if the generally applicable safety precautions and device-specific safety information in this operating manual are observed during use. The guarantee is not valid in relation to damages caused by a failure to observe this operating manual. The manufacturer assumes no liability for personal injury or damage to property arising as a result of this. In the event of problems please contact our service department immediately.

Intended use

HEUTE Solamat sole cleaning machines are used to clean the soles of closed shoes and boots by means of electrically driven brushes. No other use is permissible!

Only use the brushes approved for use with the machines by the manufacturer.

Operation is only permissible in closed, dry rooms whilst observing the specifications listed in the "Safety instructions" section.

Use in potentially explosive areas is not permitted.

Foreseeable erroneous use

The shoe cleaning machine is not suitable for use as follows:

- Cleaning, cleansing and care of human body parts and objects that are not parts of a shoe.
- Use as a tool for working on surface finishes
- Use with the addition of fluids

Safety instructions



The machine must not be changed or modified because this can lead to risks such as a short circuit, electric shock, fire. Maintenance and repairs must be carried out exclusively by authorised persons with the use of original parts.

The use of non-original replacement parts or the implementation of unauthorised modifications to the machine will result in the declaration of conformity issued by the manufacturer/distributor and the CE sign being voided with immediate effect.

Only use the machine in closed rooms. Direct contact with water must be avoided!

Operation is only permissible at ambient temperatures between 0° C and 40° C.

The product must not be allowed to fall.



Do not continue to use the machine if the cleaning brushes are worn. This can result in damage to the shoe. The brushes must be replaced by a qualified person.



The machine isn't designed for continuous duty. Necessarily please pay attention to page 21 (Technical Datas) where you will find the parameters of short-term operation (STO).



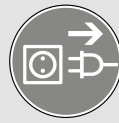
The design complies with protection class I. The voltage supply is 230 V AC, 50-60 Hz or 115 Volt AC, 50-60 Hz. **The concrete indications mentioned on the fabrication label of the machine are significant.**



During use, the motor can heat up to temperatures of up to 90° C. Do not touch the motor without wearing safety gloves.



Use by children, in particular when unattended, must be excluded. Ensure that any contact between (household) animals and the machine is excluded.



Always disconnect the mains power plug prior to service and repair work.

Do not continue to use the machine if it is damaged and disconnect the mains power plug.



Excessive application pressure during use of the brush can lead to damage to shoes/boots!

Necessarily shoelaces, laces, belts keep away from ground level while using the wheel brushes. Those parts could be taken by the brushes and could cause injuries or damages of the shoes.

The operator is responsible for all personal injury and damage to property that arises due to unintended use, faulty machine connections and/or operating errors.

Prior to cleaning, always unplug the mains power plug and disconnect the power supply. When cleaning the housing use of a dry or damp microfibre cloth is recommended. Do not use cleaning products or household cleaner.

Protect the machine against moisture, spray water and the effects of heat.

When in commercial establishments observe the safety ordinance applicable on site as well as the accident prevention regulations issued by the union of professional associations for electrical systems and equipment.

Ensure that the installation is level.

Welcome

Dear Customer, we would like to thank you for purchasing one of our HEUTE industrial sole cleaning machines.

This operating manual is a constituent of the machine. It contains important information on commissioning, operation and maintenance. Please store this operating manual for future reference!

Scope of supply

Machine, power cable, operating manual

Declaration of Conformity

The manufacturer herewith confirms that the following machine of type Solamat 90/100/150/200 complies with the directives listed below:

- Machinery Directive (2006/42/EC)
- EMC directive (2014/30/EU)

Technical specifications

- DIN EN 60335-1 (DIN VDE 0700-1):2020-08
- DIN EN 60335-2-82 (DIN VDE 0700-82):2020-10
- DIN EN 55014-1 (DIN VDE 0875-14-1):2018-08
- DIN EN 55014-2 (DIN VDE 0875-14-2):2016-01
- DIN EN 61000-3-2 (DIN VDE 0838-2):2019-12
- DIN EN 61000-3-3 (DIN VDE 0838-3):2020-07
- DIN EN 61000-6-2 (DIN VDE 0839-6-2):2019-11
- DIN EN 61000-6-3 (DIN VDE 0839-6-3):2022-06

Authorized representative Steffen Moersch.

Contact details (see address of manufacturer).



Christian Löwe, Managing Director
HEUTE Maschinenfabrik GmbH & Co. KG

Environmental protection

Disposal of transport packaging

The packaging materials in which your machine is supplied are environmentally friendly and recyclable. Please help by disposing of the packaging in an environmentally friendly manner. The packaging must not be given to children to play with. There is a risk of suffocation due to the folding box and film.

Disposal of the product

Old devices that are no longer in use are not worthless waste. Valuable raw materials can be recovered through environmentally friendly disposal. Please inform yourself of the current disposal methods by contacting the person responsible within your company or your local authority.

Table of contents

Important – read first	14
Intended use	14
Foreseeable erroneous use	14
Safety instructions	14
Welcome	15
Scope of supply	15
Declaration of Conformity	15
Environmental protection	15
Commissioning	16
Erection	16
Electrical connection	16
Filling the polish dispenser (only at Solamat 150)	16
Operation	16
Switching on and off	16
Sole cleaning	16
Leather upper cleaning (Solamat 100/200)	16
Leather upper cleaning (only Solamat 150)	16
Cleaning and care of the machine	16
Cleaning the housing	16
Coarse dirt drawer	16
Regular maintenance	16
Service and repairs	16
Disassembling the motor mounting	16
Changing the roller brushes – Solamat 90	17
Changing the roller brushes – Solamat 100/150/200	18
Changing the disc brushes – Solamat 90	18
Changing the disc brushes – Solamat 100/150/200	18
Changing the top brush – Solamat 100/150/200	19
Filter change – Solamat 200	19
Belt change – Solamat 90	19
Belt change – Solamat 100/150/200	20
Trouble-shooting	20
Technical data	21
Wiring diagram	21
Parts drawing – Solamat 90	22
Parts drawing – Solamat 100/150/200	23

Commissioning

Transport and assembly

Depending from volume and weight the transport and assembly of the sole cleaning machine should be done by 2 persons. The erection site must be covered. The machine must be erected such that it is level and will not slip. It must also be protected against water spray and the effects of water. In order to guarantee that the machine is stable, level out any uneven floor areas, e.g. by shimming with suitable rubber strips.

Electrical connection

The machine is delivered ready for mains connection with a power cable. Connection to the mains power supply must be established via a standardised, fused and earthed socket. Voltage and current must concur with the data on the type plate (110 Volt or 230 Volt).

Polish liquid (only model Solamat 150)

We recommend to use our HEUTE shoe polish, because only there-with we can guarantee an impeccable function with our machines. The polish is available separately.

Filling the polish dispenser (only model Solamat 150)

To fill the polish dispenser, take out the holder by means of a quarter-turn. After filling the bottle with polish, ensure that the cap is firmly closed and that the function of the valve works properly. Put the filled bottle into the holder and turn it up. The vision panel should be visible from the front. Check, whether the polish dispenser works properly. Therefore slightly push the toe-cap against the valve. Therewith the polish liquid will be supplied to the leather.

Operation

Switching on and off

The machine is started up via a foot sensor switch and is switched off automatically after approx. 40 seconds via a time relay unless the foot sensor switch is actuated once more.

Shoe and boot cleaning

When using ensure that you have established a stable position in front of the machine and that you will not slip. The closed shoes/boots that require cleaning must be cleaned on the machine exclusively whilst on the foot of the user. It is prohibited to use the machine when laces are untied or other loose parts are on the shoe. This can result in damage to the machine and shoe, and may also lead to serious injuries.



Caution – risk of injury!

The dirty soles and sole edges can be cleaned on the coarse nylon brushes by lightly pressing the soles of the shoes against the brushes. Moving the soles back and forth, up and down on the brushes results in dry dirt being removed and this is transferred to the dirt trap beneath the brushes.

Leather upper cleaning (Solamat 100/200)

The shoe requiring cleaning is pressed lightly against the upper roller brush. Turning the shoe to the side also allows the user to clean the sides of the shoes.

Cleaning and care of the machine

Cleaning the housing

Prior to cleaning always unplug the mains power plug and in doing so disconnect the power supply. When cleaning the housing we recommend use of a dry or damp microfibre cloth. Dirt that has dried onto the steps must be removed with a brush as necessary. Do not use cleaning products or household cleaner.

Coarse dirt drawer

Coarse dirt that has been cleaned off is trapped in the drawer beneath the brushes. The drawer must be emptied regularly.

Cleaning of the uppers (only Solamat 150)

Push against the polish valve carefully, until one or two drops of polish liquid are supplied to the leather. Spread the liquid over the complete shoe by means of the soft polishing brush. Turn the shoe, so that also the sides are cleaned. The leather becomes bright and remains soft by means of our liquid.

Regular maintenance

- ▶ Empty the dirt drawer regularly.
- ▶ Check belt tension: The brushes must move when the belt is moved in the direction of rotation without slippage. A round belt that is too loose can slip due to loading by the drive pulley and this may lead to damage.
- ▶ Replace any damaged, worn or excessively loose round belts (see chapter **Service and repairs** > *Belt change*). Motor maintenance is not necessary.
- ▶ Replace any damaged or worn brushes (see chapter **Service and repairs** > *Brush change*). The flange bearing should be replaced during a brush change.
- ▶ Check the filter mat (only Solamat 200) and replace if necessary (see chapter **Service and repairs** > *Filter change Solamat 200*)

Service and repairs

All electrical repairs must be carried out by customer service technicians and electricians exclusively. Unplug the mains power plug prior to all repair works on the machine!

When ordering spare parts please provide the following information:

- ▶ Machine number
- ▶ Year of manufacture

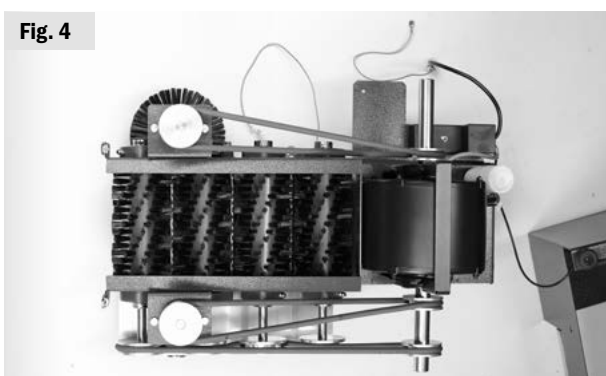
You can find the type plate bearing this information on the back of the housing.

Disassembling the motor mounting

In order to gain better access to the brushes, round belts or flange bearings it may be necessary to disassemble the motor mounting as follows.

1. Interrupt the power supply by disconnecting the mains plug.
2. Remove the dirt drawer.
3. Remove the 6 hexagon socket screws (width across flats 3 mm) visible from above (see Fig. 1).
4. Turn the machine upside down and place it on a suitable work surface such that it is lying on the top of the housing (see Fig. 2).

5. Remove the 2 hexagon socket screws (width across flats 3 mm) on the front and back of the housing respectively, so that the motor mounting is released from the housing (see Fig. 1 and Fig. 2).
6. Detach the cables: 3 earth cables, 2 mains cables (blue mains cable = N conductor, brown mains cable = L conductor). To do so cut through the cable ties with wire cutters (see Fig. 3).
7. Take the motor mounting out of the housing. Observe the cables left in the housing (see Fig. 4).



Changing the roller brushes - Solamat 90

1. Remove round belt no. 2 (size 930V) (see Fig. 5).
2. Release the bearing rings next to both shaft flange bearings (hexagon socket screw, width across flats 2.5 mm) (see Fig. 6).
3. Release hexagon socket screws (width across flats 3 mm) in the brush core (2 per brush).
4. Draw the shaft out of the side of the brush (see Fig. 7).
5. Take the loose roller brush out of the motor mounting.
6. Insert new roller brush and slide in the shaft from the side once more. Prior to inserting the shaft debur it if necessary.
7. Fasten the roller brush to the shaft once again using 2 hexagon socket screws in the brush core. Secure the shaft using the bearing rings next to both flange bearings.
8. Installation of the motor mounting takes place in reverse order to the deinstallation.
9. Check to ensure electrical safety following installation.



Changing the roller brushes – Solamat 100/150/200

In principle identical to the process with the Solamat 90. First detach the front panel by releasing the 11 hexagon socket screws (width across flats 3 mm). Additionally remove round belt no. 4 (size 650V) from the upper round belt pulley (see Fig. 8).

Fig. 8



Changing the disc brushes – Solamat 90

1. Disassemble the motor mounting (see chapter **Service and repairs** > *Disassembling the motor mounting*).
2. Remove round belt no. 1 (710 V) and no. 3 (700 V) (see chapter **Service and repairs** > *Belt change - Solamat 90*). Prior to removing the belts, mark these to ensure that they cannot be confused during installation.
3. Set the motor mounting to the side.
4. Loosen the self-locking nuts, which clamp the disc brush onto the shaft. In order to do so it is necessary to secure the axle with a fitting pin to prevent it from rotating (see Fig. 9).
5. Release the 2 bearing rings (hexagon socket screw, width across flats 2.5 mm) (see Fig. 10).
6. Turn out the axle until the brush is free and can be removed.
7. Carry out installation of the new brushes in reverse order. The disc brushes must have 1-2 mm play to the screw heads (see Fig. 11). They must be secured on the shaft once more using new self-locking M10 nuts.
8. Installation of the motor mounting takes place in reverse order to the deinstallation (see chapter **Service and repairs** > *Disassembling the motor mounting*).
9. Check to ensure electrical safety following installation.

Fig. 9



Fig. 10

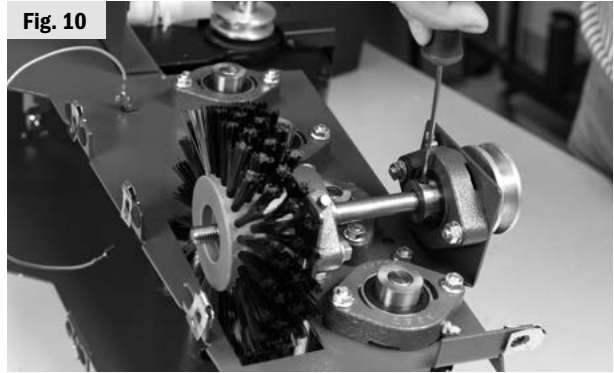


Fig. 11

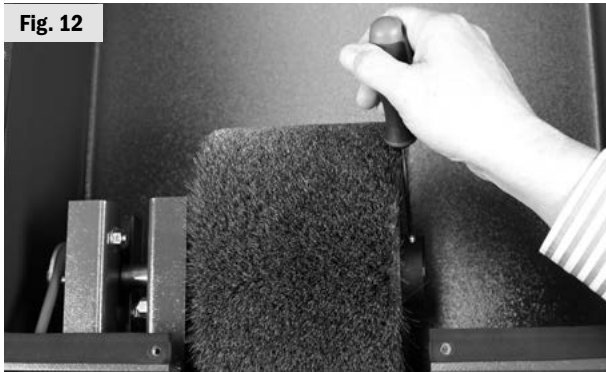


Changing the disc brushes - Solamat 100/150/200

In principle identical to the process with the Solamat 90. First detach the front panel by releasing the 11 hexagon socket screws (width across flats 3 mm). Additionally remove round belt no. 4 (size 650V) from the upper round belt pulley (see Fig. 8).

Changing the top brush – Solamat 100/150/200

1. Interrupt the power supply by disconnecting the mains plug.
2. Detach the front panel by releasing the 11 hexagon socket screws (width across flats 3 mm).
3. Release the hexagon socket screw (width across flats 3 mm) at the brush flange. Draw the brush off the shaft to the right (see Fig. 12).
4. Slide the new brush onto the shaft and fix the brush flange to the shaft using the hexagon socket screw. When doing so ensure the correct position of the stud bolt in the intended shaft recess.
5. Reinstall the front panel.



Filter change – Solamat 200

It is only possible for the extraction system to run at full capacity with clean filter mats! The frequency of filter changes depends of the field of application. Two filters are built in. (At the rear side and at the bottom side of the housing)

1. Interrupt the power supply by disconnecting the mains plug.
2. Loosen the grating at the rear side and bottom side of the housing by means of a flat tool, like a slotted screwdriver (see Fig 13).
3. Change the dirty filter mats rear side of the housing (Art. no. 18-950), bottom side of the housing (Art. no. 18-951).
4. Mount in the grating with new filter mat.




Belt change - Solamat 90

Round belt no. 1, size 710V, Art. no. 0080085

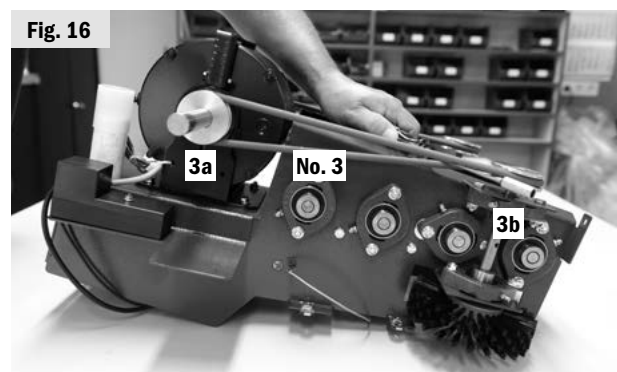
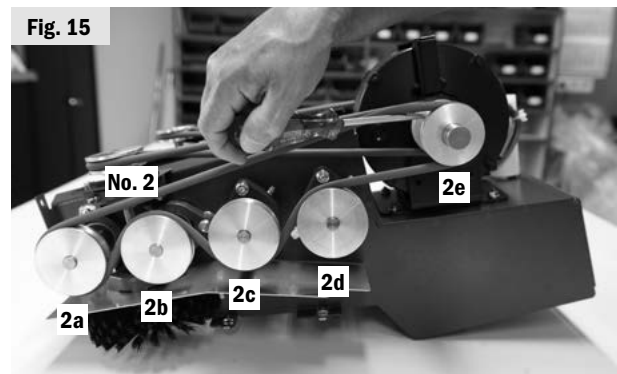
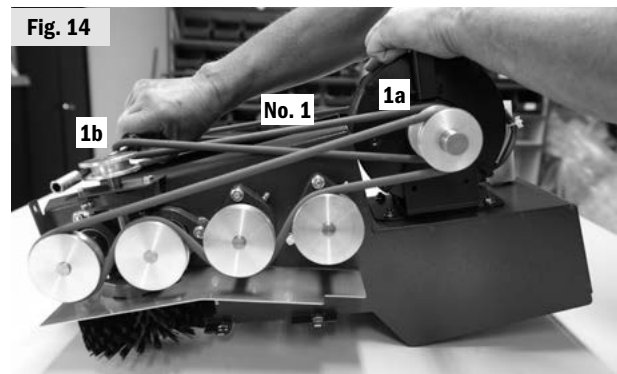
Round belt no. 2, size 930V, Art. no. 0080070

Round belt no. 3, size 700V, Art. no. 0080080

1. Interrupt the power supply by disconnecting the mains plug.
2. Remove the dirt drawer.
3. Turn the machine upside down and place it on a suitable work surface such that it is lying on the top of the housing with the underside is freely accessible.
4. Remove damaged or worn round belts.

 **Caution - risk of crushing when tensioning the round belt on the belt pulley!**

5. First lay round belt no. 1 on belt pulley 1a. Then lever onto belt pulley 1b using a suitable tool (e.g. screwdriver). When doing so observe the direction of rotation of the belt pulley (see Fig. 14).
6. Lay round belt no. 2 on belt pulley 2a, b, c, d and lever onto belt pulley 2e (see Fig. 15).
7. First lay round belt no. 3 on belt pulley 3a. Then lever onto belt pulley 3b using a suitable tool (e.g. screwdriver) (see Fig. 16).
8. Set the machine back in its upright position and slide the dirt drawer back in.



Belt change – Solamat 100/150/200

Round belt no. 1, size 710V, Art. no. 0080085

Round belt no. 2, size 930V, Art. no. 0080070

Round belt no. 3, size 700V, Art. no. 0080080

Round belt no. 4, size 650V, Art. no. 0080050

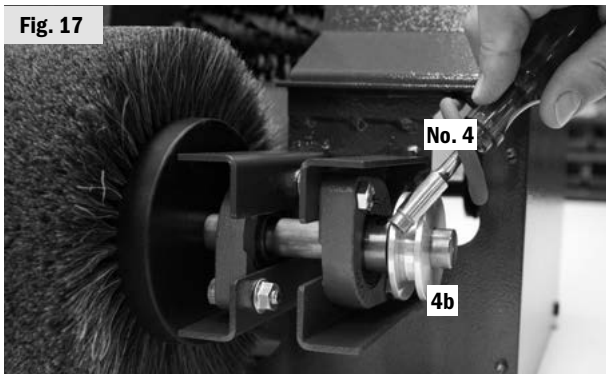
1. Interrupt the power supply by disconnecting the mains plug.
2. Remove the dirt drawer.
3. Detach the front panel by releasing the 11 hexagon socket screws (width across flats 3 mm).
4. Turn the machine upside down and place it on a suitable work surface such that it is lying on the top of the housing with the underside is freely accessible.
5. Remove damaged or worn round belts.



Caution - risk of crushing when tensioning the round belt on the belt pulley!

6. First lay round belt no. 1 on belt pulley 1a. Then lever onto belt pulley 1b using a suitable tool (e.g. screwdriver). When doing so observe the direction of rotation of the belt pulley (see Fig. 14).
7. Lay round belt no. 2 on belt pulley 2a, b, c, d and lever onto belt pulley 2e (see Fig. 15).
8. First lay round belt no. 3 on belt pulley 3a. Then lever onto belt pulley 3b using a suitable tool (e.g. screwdriver) (see Fig. 16).
9. Lay round belt no. 4 on belt pulley 4a through the housing opening to the upper housing. Then lever onto belt pulley 4b using a suitable tool (e.g. screwdriver) (see Fig. 17).
10. Set the machine back in its upright position on its feet and fit the front panel and dirt drawer once more.

Fig. 17



Trouble-shooting only by qualified personnel

? Machine does not run

! Machine has no power supply

- ✓ Check mains power cable (see chapter **Service and repairs** > **Belt change**; in conjunction with Fig. 3)

? Roller and / or disc brushes do not rotate constantly

! Round belt tension loss

or

! Round belt without guide

or

! Round belt torn

- ✓ Check round belt guide and tension or replace round belt.

? Roller and / or disc brushes spin during use

! Round belts slip

or

! Roller / disc brushes not fixed on shaft.

- ✓ Fix roller / disc brushes on the shaft with screws.

? Motor blocked/running unevenly

! poss. foreign objects wound into brushes

- ✓ Unplug the mains power plug immediately and turn the brushes by hand in order to remove any objects that have become wound in

? Machine becomes very loud during the cleaning process

! Bearing faulty

- ✓ Check bearing and replace if necessary

? Fine dust is not sucked off (only Solamat 200)

! Filters are clogged

- ✓ Change the filter

Technical Data

Solamat 90*

Dimensions: 460 x 560 x 114 mm (W x D x H)
 Weight: 47 kg
 Connection values: 230 Volt (110 Volt optional)
 Power: 500 Watt, 700 rpm
 Short-term operation (STO): 4 min.

Solamat 100*

Dimensions: 460 x 600 x 110 mm (W x D x H)
 Weight: 60 kg
 Connection values: 230 Volt (110 Volt optional)
 Power: 500 Watt, 700 rpm
 Short-term operation (STO): 4 min.

Solamat 150*

Dimensions: 460 x 600 x 110 mm (W x D x H)
 Weight: 62 kg
 Connection values: 230 Volt (110 Volt optional)
 Power: 500 Watt, 700 rpm
 Short-term operation (STO): 4 min.

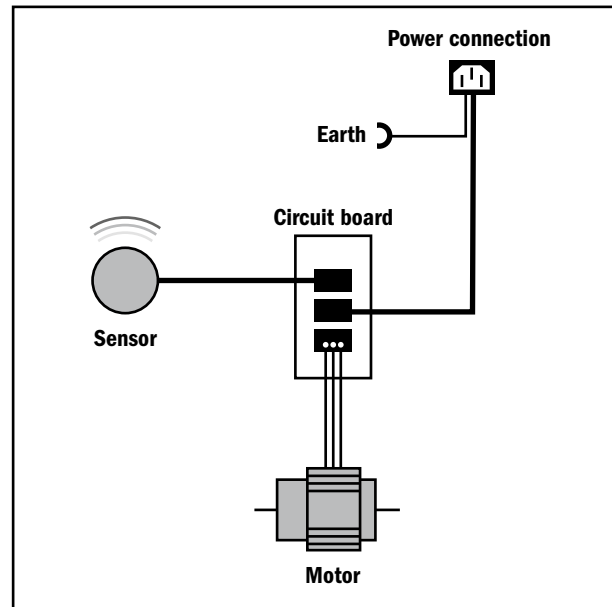
Solamat 200*

Dimensions: 460 x 600 x 110 mm (W x D x H)
 Weight: 62 kg
 Connection values: 230 Volt (110 Volt optional)
 Power: 500 Watt, 700 rpm
 Short-term operation (STO): 4 min.

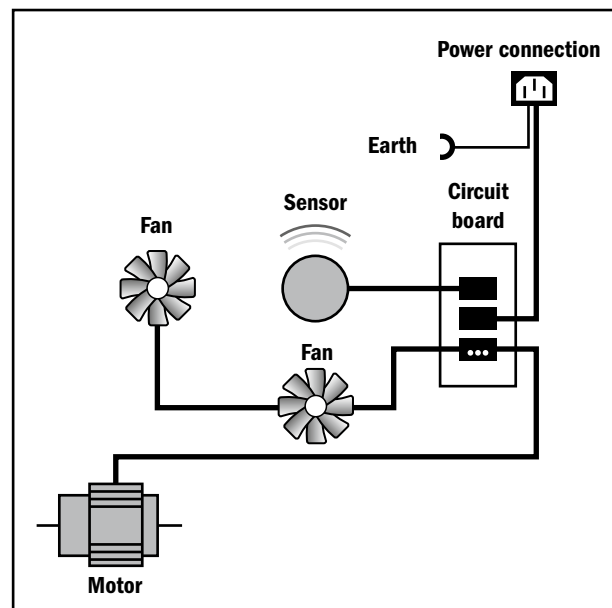
*Noise emissions level below 70 db (A)

Wiring diagram

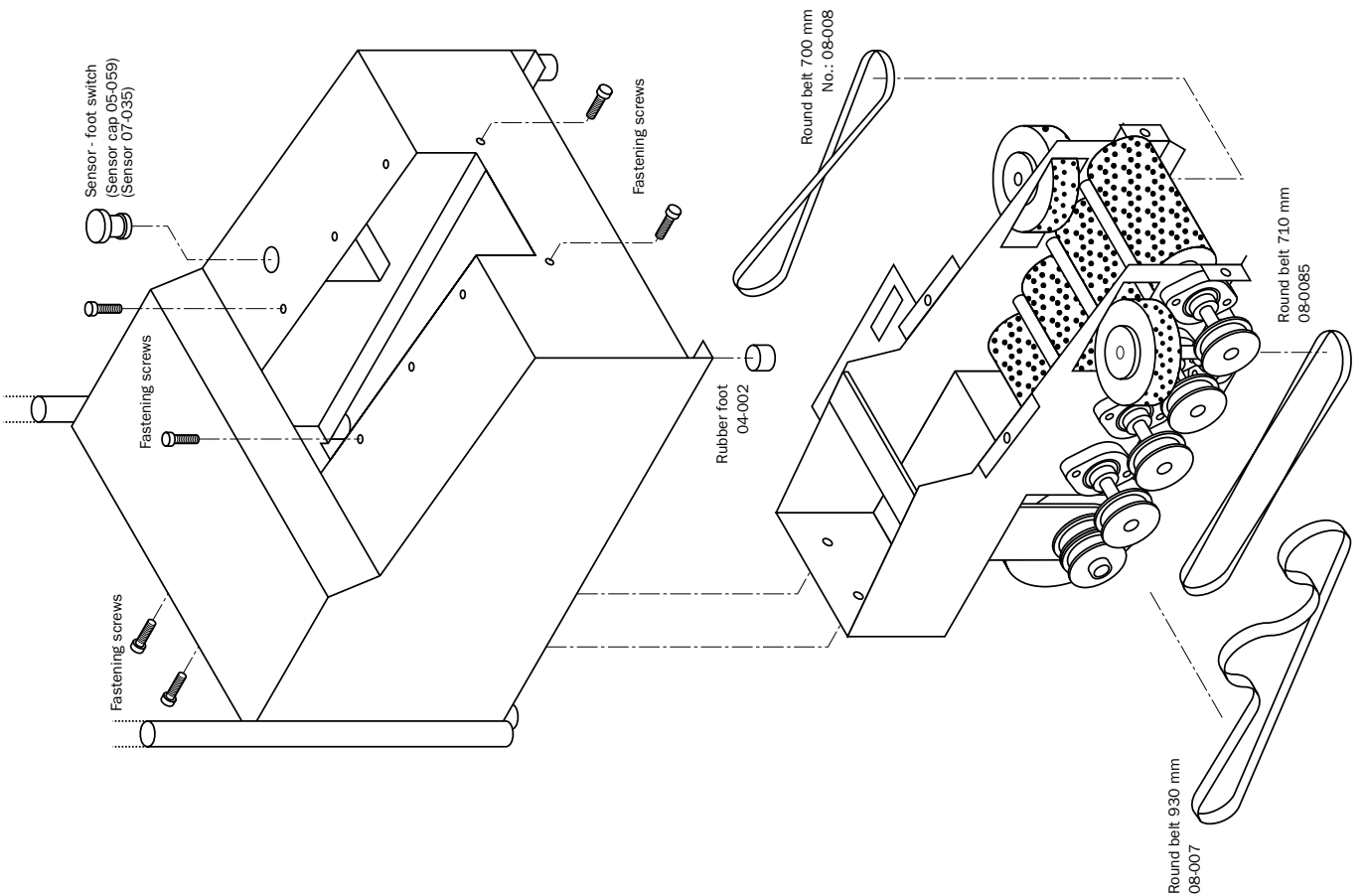
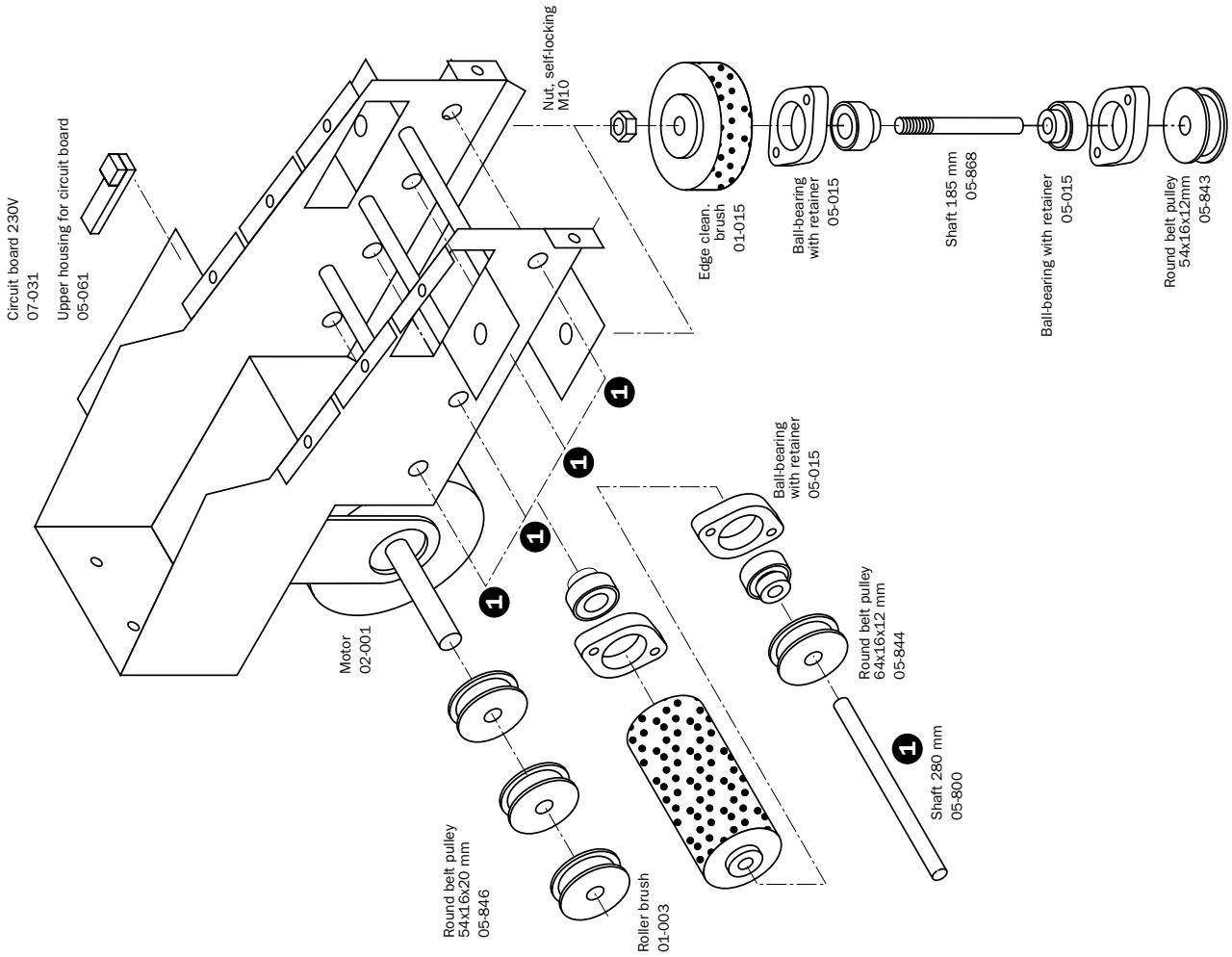
Solamat 90/100/150



Solamat 200

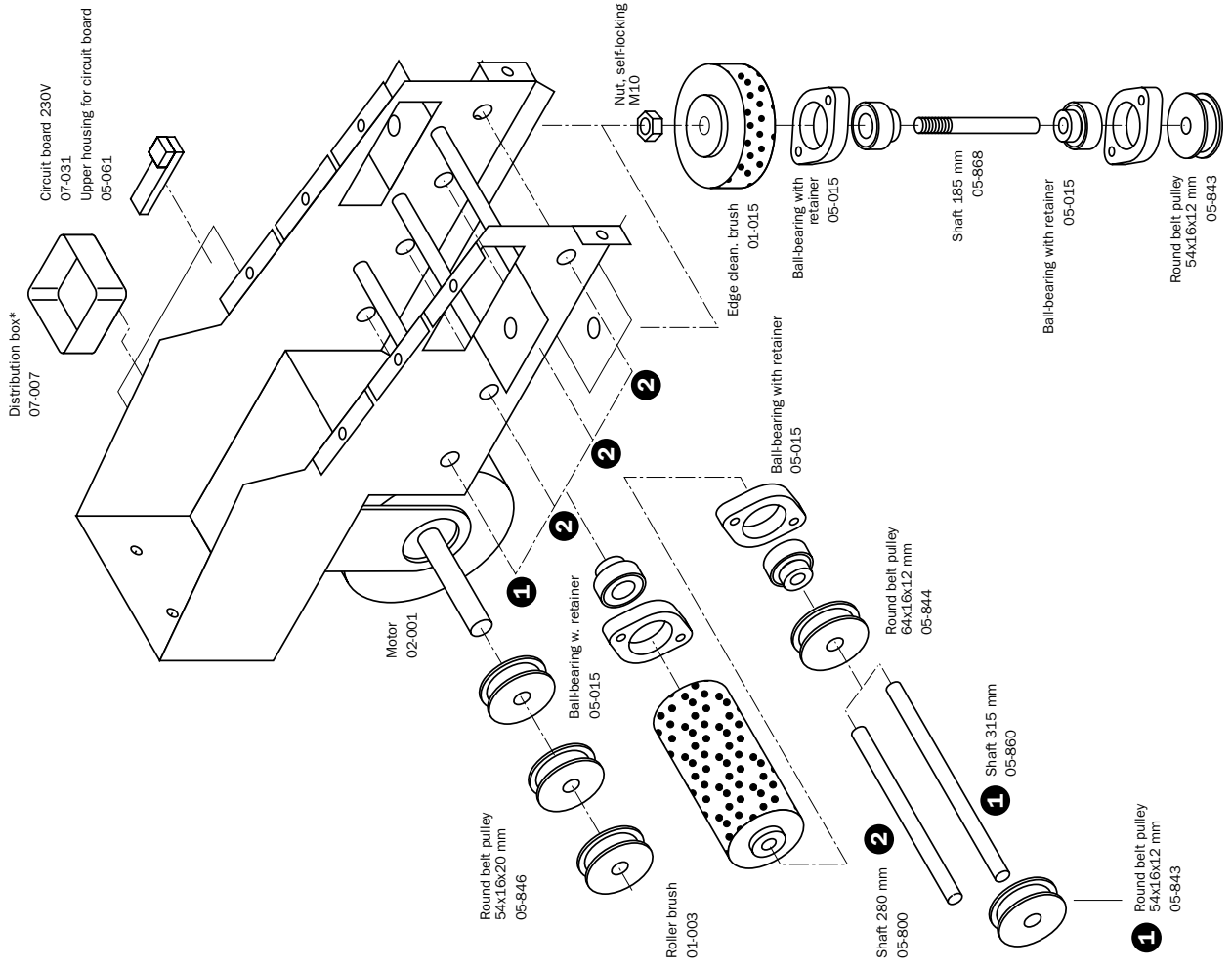


Solamat 90 parts drawings

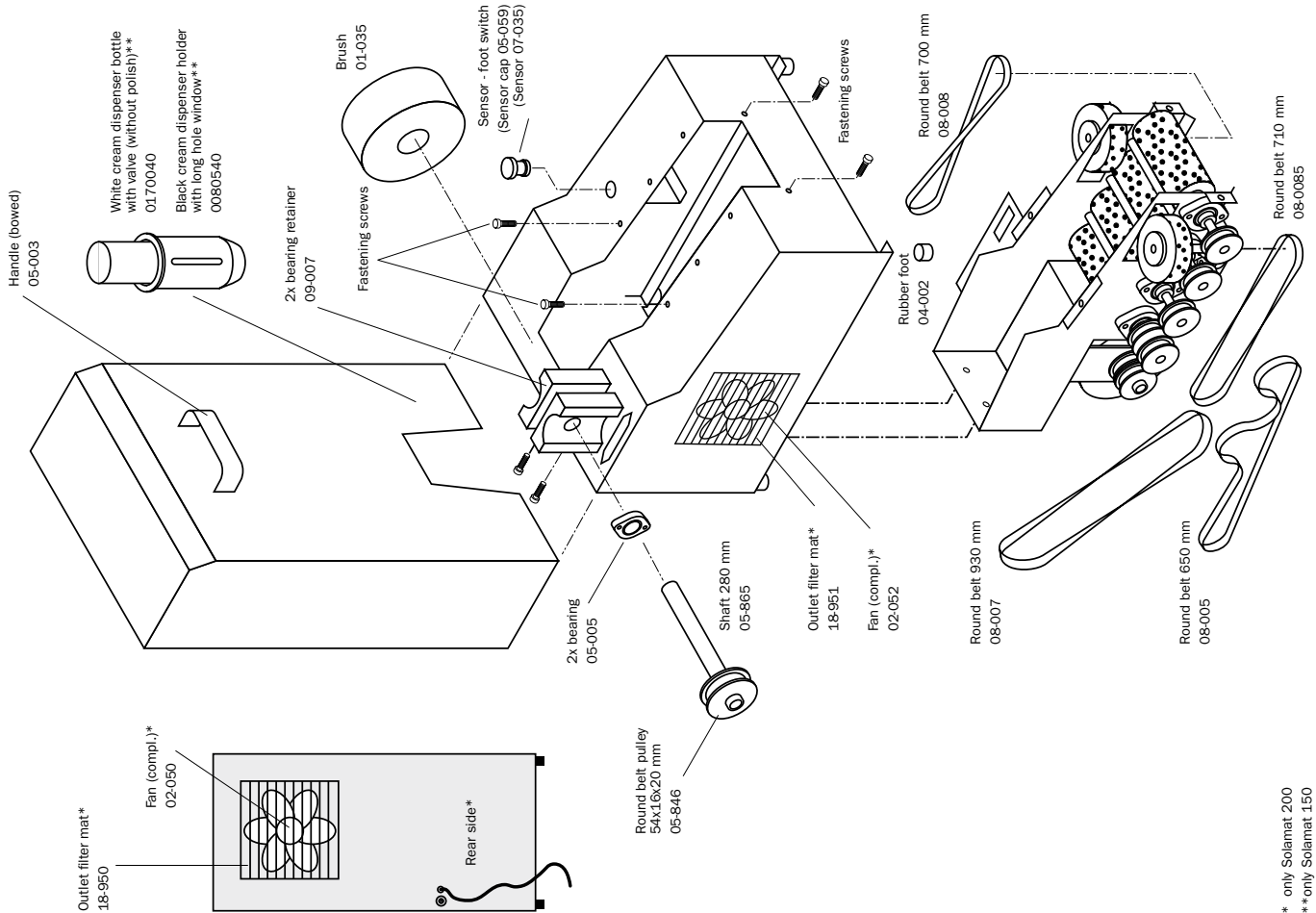


Solamat 100/150/200 parts drawings

EN



* only Solamat 200



* only Solamat 200
 **only Solamat 150

D

EN

F

IT

ES

RU

Dieses Handbuch enthält Beschreibung unserer Produkte, allerdings keine Garantien für bestimmte Eigenschaften oder Einsatzerfolge. Maßgebend ist, soweit nicht anders vereinbart, der technische Stand zum Zeitpunkt der gemeinsamen Auslieferung von Produkt und Bedienungsanleitung durch die HEUTE Maschinenfabrik GmbH & Co. KG. Konstruktion und Technik unterliegen ständiger Weiterentwicklung und Verbesserung. Technische Änderungen bleiben vorbehalten. Dieses Handbuch ist urheberrechtlich geschützt. Alle Rechte bleiben vorbehalten. Das Kopieren, Vervielfältigen, Übersetzen oder Umsetzen in irgendein elektronisches Medium oder maschinell lesbare Form im Ganzen oder in Teilen ist nur mit ausdrücklicher schriftlicher Genehmigung der HEUTE Maschinenfabrik GmbH & Co. KG gestattet.

This manual comprises the description of our products, however it does not guarantee certain properties or success in use. Provided nothing to the contrary has been agreed upon, the technical condition at the point of delivery of the product together with the operating manual by HEUTE Maschinenfabrik GmbH & Co. KG is decisive. Design and engineering is subject to continuous further development and improvement. Subject to technical modifications. This manual is protected by copyright. All rights reserved. Copying, reproducing, translating or converting into any electronic medium or machine readable form in whole or in part shall be permitted only with the explicit written approval of HEUTE Maschinenfabrik GmbH & Co. KG.

Ce manuel comprend la description de nos produits, mais pas des garanties pour certaines caractéristiques ou des résultats d'utilisation. Sauf autre accord, le niveau de la technique au moment de la livraison tant du produit comme du manuel d'instructions par HEUTE Maschinenfabrik GmbH & Co. KG est déterminant. La construction et la technique font l'objet d'une évolution et d'une amélioration constante. Nous nous réservons le droit d'effectuer des modifications techniques. Ce manuel est protégé par des droits d'auteur. Tous droits restent réservés. Le copier, photocopier, traduire ou recomposer dans quelconque moyen électronique ou forme lisible mécaniquement dans son tout ou partie, nécessite une autorisation explicite et écrite de la part de HEUTE Maschinenfabrik GmbH & Co. KG.

Questa guida contiene la descrizione dei nostri prodotti ma non include la garanzia per determinate caratteristiche o risultati di utilizzo. Se non accordato diversamente, fa riferimento lo stato della tecnica nel momento della consegna del prodotto e del manuale d'utilizzo da parte dell'impresa HEUTE Maschinenfabrik GmbH & Co. KG. La costruzione e la tecnica sono continuamente soggette ad evoluzione e miglioramento. Eventuali modifiche tecniche sono riservate. Questa guida è protetta da diritti d'autore. Tutti i diritti sono riservati. La copia, la riproduzione, la traduzione o il trasferimento su qualsiasi dispositivo in formato elettronico o in forma leggibile a macchina, di parte o dell'intero testo, è solamente ammesso tramite l'esplicito consenso scritto da parte dell'impresa HEUTE Maschinenfabrik GmbH & Co. KG.

Este manual comprende la descripción de nuestros productos, pero ninguna garantía para ciertas características o resultados de utilización. Salvo otro acuerdo, el estado de la tecnología al momento de la entrega tanto del producto como del manual de instrucciones por HEUTE Maschinenfabrik GmbH & Co. KG es determinante. La construcción y la técnica son el objeto de una evolución y de una mejora constante. Nos reservamos el derecho de efectuar modificaciones técnicas. Este manual está protegido por unos derechos de autor. Todos los derechos están preservados. Copiar, fotocopiar, traducir o recomponerlo en cualquier medio o forma legible mecánicamente en su totalidad o parte, requiere una autorización explícita y escrita de parte de HEUTE Maschinenfabrik GmbH & Co. KG.

Данное руководство содержит описание нашей продукции, однако не дает гарантии относительно определенных свойств и результатов использования. Определяющим, если не оговорено иное, является техническое состояние на момент общей поставки изделия и руководства по эксплуатации компанией HEUTE Maschinenfabrik GmbH & Co. KG. Конструкция и оборудование машины подлежат постоянному совершенствованию и улучшению. Оставляем за собой право внесения технических изменений. Данное руководство защищено авторским правом. Все права защищены. Копировать, размножать, переводить или выпускать в оборот на любом электронном носителе или машинно-читаемой форме полностью или частично разрешается только с явным выраженным, письменным согласием компании HEUTE Maschinenfabrik GmbH & Co. KG.



Höhscheider Weg 37 · 42699 Solingen · Germany
 Phone: +49(0)212-380 310 · Fax: +49(0)212-380 31-49
 E-mail: info@heute-gmbh.de · Internet: www.heute-gmbh.de